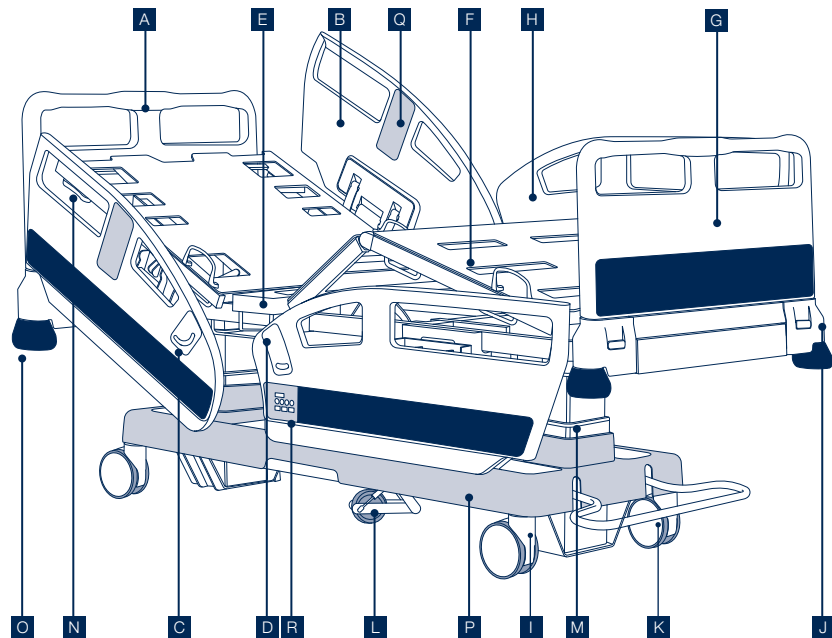


## QUICK REFERENCE SHEET



### BED'S COMPONENTS

A	Removable curved headboard	J	Unlocking headboards and footboards
B	Backrest section side rail	K	Centralised braking system
C	Backrest tilt angle indicator	L	5 <sup>th</sup> wheel
D	Trend & Reverse trend tilt angle indicator	M	Lifting columns
E	Sheet steel central section	N	Emergency CPR
F	HPL mattress platform	O	Protection disc
G	Removable curved footboard	P	Cover frame
H	Leg section side rail	Q	Membrane controls
I	Wheels Ø150 mm.	R	Weighing system

### OTHER FUNCTIONS

#### Side Rails (1):

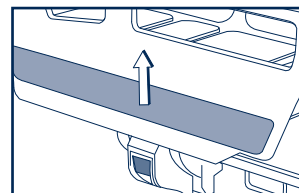
- Raising the rail: Pull the rail upwards until it is immobilised in the highest position.
- Lowering the rail: Pull the handle found underneath the rail outwards. The rail will automatically lower.

#### Emergency CPR (2):

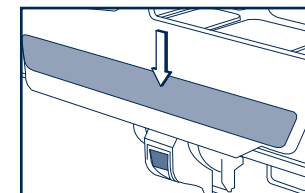
- Activate either of the two levers located under the headrest module, accompanying it in turn as it lowers.

#### Centralised braking system (3):

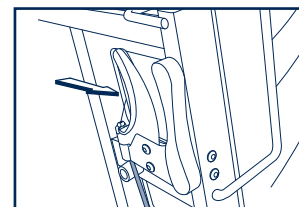
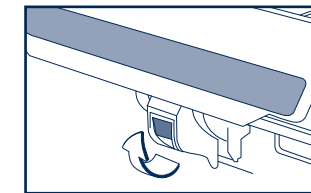
- Braking the bed: Pedal in low position.
- Moving the bed: Pedal in intermediate position.
- Activating 5<sup>th</sup> or steering wheel: Pedal in raised position.



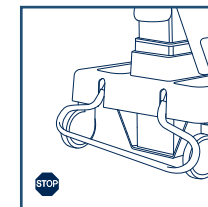
Raising the rails



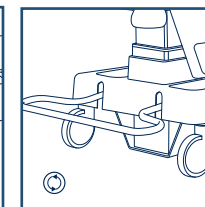
Lowering the rails



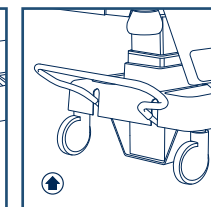
Emergency CPR



Brake



Free movement



Steering or 5<sup>th</sup> wheel

### CLEANING

Daily cleaning and disinfection with soapy water:

- Rails. Head board. Foot board.

Cleaning and disinfection after a patient leaves or before a transfer:

- Mattress platform area. Chassis of the bed.

Thorough cleaning and disinfection every two months:

- Support and lifting area of the bed.

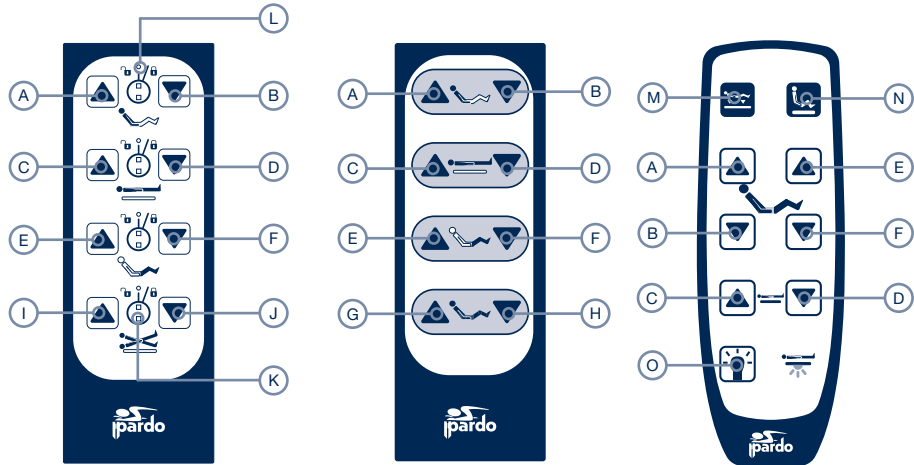
### MAINTENANCE

Always check the correct state of:

- Electrical wiring
- Wheels.
- Braking mechanisms.



## CONTROLS

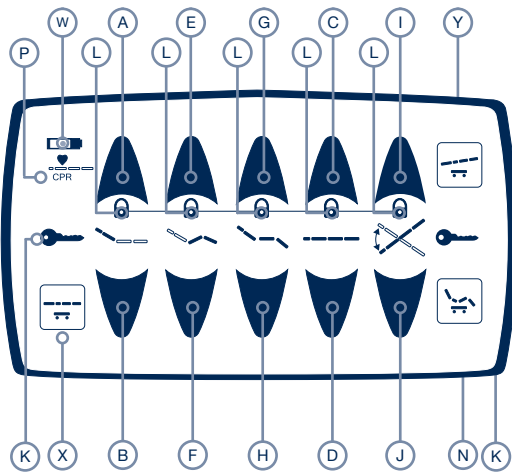


Patient hand control with locking

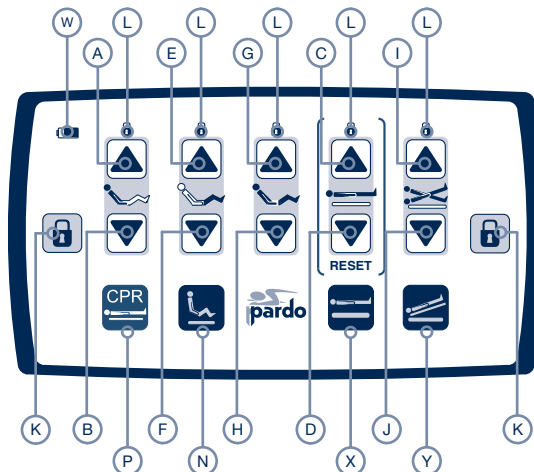
Patient hand control

Patient hand control with light

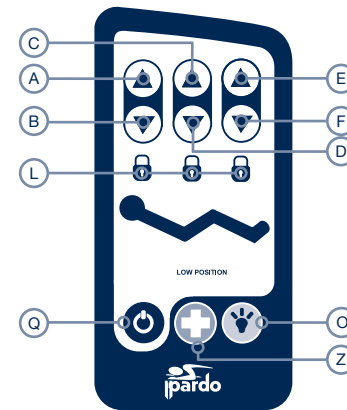
INSTRUCTIONS OF USE			
A	Rise backrest	Q	On/Off Button (to active membranes)
B	Lower backrest	W	Battery indicator
C	Rise mattress platform	X	Explorer Position (Maximum height)
D	Lower mattress platform	Y	Emergency Trend position
E	Rise legrest	Z	Nurse call
F	Lower legrest	1	Digit screen
G	Rise all sections simultaneity ( <i>autocontour</i> )	2	Alarm indicator
H	Lower all sections simultaneity ( <i>autocontour</i> )	3	Weight unit indicator
I	Reverse Trend	4	On/off button - access to menu - data validation
J	Trend	5	"Right" button
K	Locking movements	6	"Memory" button
L	Indicator Led of locked movements	7	"Up" button
M	Flat Position (Lower all sections Simultaneity)	8	"Back to zero" button
N	Cardiac chair position	9	"Auto-compensation" button and indicator
O	Light	10	"Resolution" button and indicator
P	Emergency CPR		



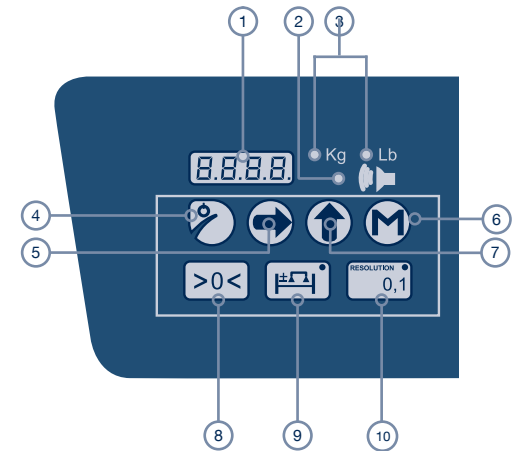
Nursing control



Nursing control



Membrane control



Weighing system



### SAFETY WARNINGS

- The maximum duration of a continuous manoeuvre should not exceed 2 minutes, as damage may be caused to the equipment.
- Before raising and lowering the moving parts of the mattress platform, with the other parts of the bed or accessories, it is essential to check that there are no obstacles between them.
- The Trendelenburg and reverse Trendelenburg movement should always be performed under medical supervision.
- When the bed is in extended position, do not sit or lean on the foot part of the bed, since it may cause a bed dump.
- Do not use CPR bilateral actuating levers to raise the backrest of the bed, it may cause raise motor breakdown and makes a bed dysfunction.

